

Alexandra Park and Palace Statutory Advisory Committee On 5th February 2008

Report Title: Planning and listed building consent – Alterations to transmission mast

Report of: David Loudfoot, General Manager

1. Purpose

1.1 To advise the committee of an application by National Grid Wireless to install two new antennas on the existing transmission mast.

2. Recommendations

2.1 That the committee considers the application and decides what advice, if any, it wishes to provide to the board of trustees regarding this planning application.

Report Authorised by: **David Loudfoot, General Manager**.....

Contact Officer: **David Loudfoot, General Manager, Alexandra Palace & Park, Alexandra Palace Way, Wood Green N22 7AY Tel No. 020 8365 2121**

3. Executive Summary

3.1 This report details the planning and listed building application made on 28th January 2008 by National Grid Wireless on behalf of Airwave Solutions Ltd to add two new dish antenna to the mast.

4. Reasons for any change in policy or for new policy development (if applicable)

4.1 N/A

5. Local Government (Access to Information) Act 1985

5.1 No specific background papers, other than those appended, were used in compiling this report.

6. Description

- 6.1 The mast at Alexandra Palace is used for various communications transmission facilities and is leased to National Grid Wireless (formerly Crown Castle Limited).
- 6.2 Airwave Solutions Ltd wish to enhance their radio system and to do so requires the addition of two new dish antenna on the mast together with equipment rack alterations in the internal rooms on the 5th floor of the South East tower.
- 6.3 The charity received notice of the intended planning application on the 22nd January 2008.
- 6.4 National Grid Wireless submitted the planning application documentation to the London Borough of Haringey, Planning Service on the 28th January 2008.
- 6.5 The planning and listed building consent application document pack is attached as appendix 1.
- 6.6 The planning process allows for a period of 21 days consultation for interested parties to express their views on the application to the planning authority prior to determination.

7. Consultation

- 7.1 This report forms part of the trustee's process of seeking advice from the Advisory Committee under the Alexandra Park and Palace Act 1985. The planning process invites comment from a much wider group of interested parties who should also put forward comments within 21 days post 28th January 2008.

8. Recommendations

- 8.1 That the committee considers the application and decides what advice, if any, it wishes to provide to the board of trustees regarding this application.

9. Legal and Financial Implications

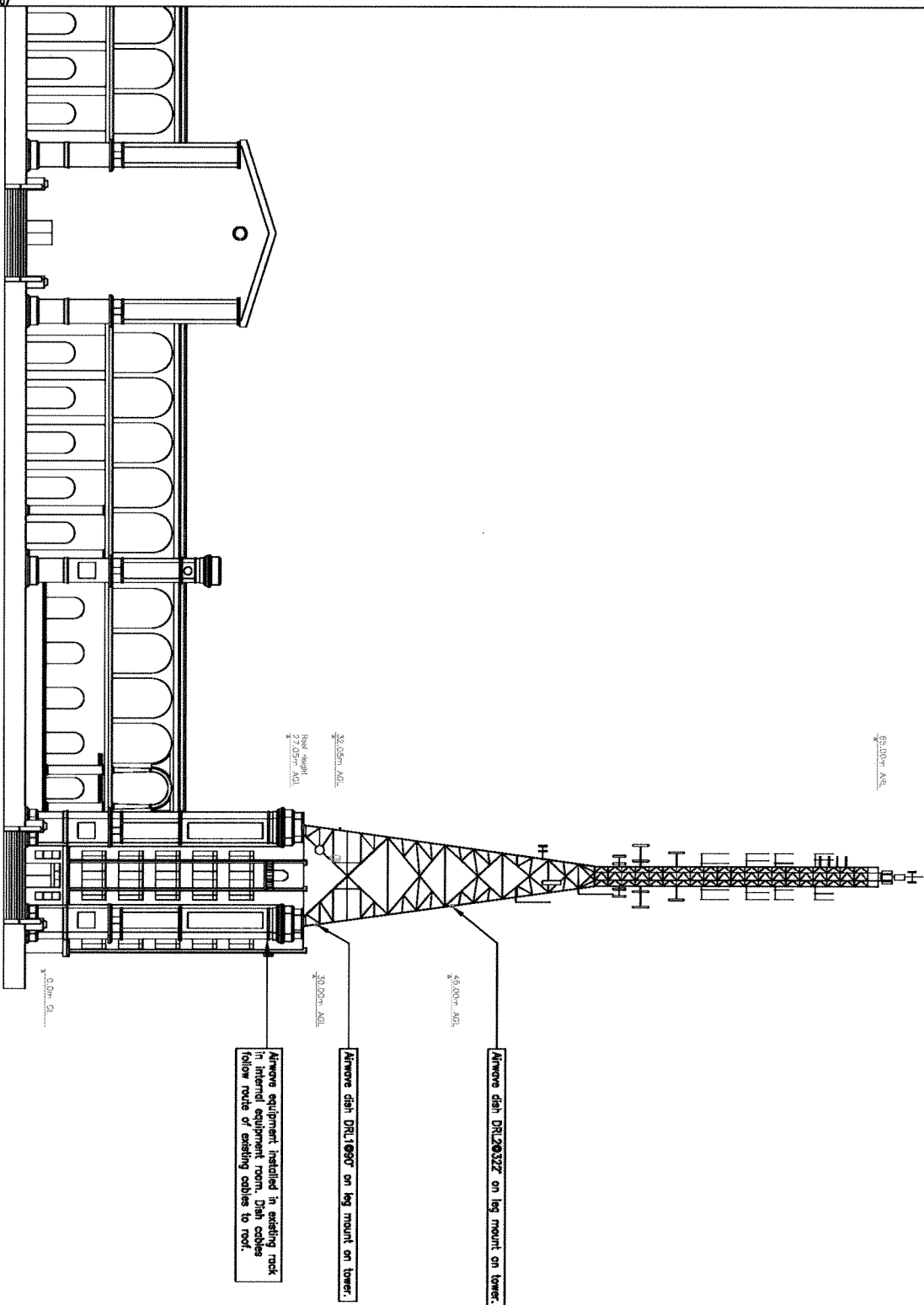
- 9.1 The local authority Director of Finance and the Trust Solicitor have been sent copies of this report.

10. Equalities Implications

- 10.1 There are no perceived equal opportunities implications in this report.

11. Use of Appendices/Tables/Photographs

- 11.1 The planning application is presented as appendix 1.



Antenna dish DR126322Z on leg mount on tower.

Antenna dish DR126322Z on leg mount on tower.

Antenna equipment installed in existing rack in internal equipment room. Dish cables follow route of existing cables to roof.

Except as otherwise noted, faint details indicate locations reserved for other proposals which may be the subject of separate applications.
 Boxed text indicates proposed work.

nationalgrid Wireless

- NOTES**
- 1) DO NOT SCALE DIMENSIONS EXCEPT FOR PLANNING PURPOSES
 - 2) ALL DIMENSIONS IN METRES UNLESS SHOWN OTHERWISE
 - 3) ALL LEVELS ARE IN METRES AND RELATED TO A LOCAL DATUM

Contractor: **Am Campbell Group Ltd**
 Consultant: **edirect**
 23 Signet court
 Searns Road
 Cambridge
 CB3 8JA

Engineer: **Daniel Sharp**
 01223 448840 daniel@edirect.co.uk
 Drawing manager: **Ben Holmes**
 01223 448843 benholmes@edirect.co.uk

Item No.	Description	Quantity	Unit
01	Site Investigation	1	DAY
02	Design & Installation	1	DAY
03	Construction	1	DAY
04	Testing & Commissioning	1	DAY
05	Handover	1	DAY

This drawing is the property of National Grid Wireless and may not be reproduced or disclosed to a third party in any form without written permission.

National Grid Wireless
 Wireless Technology Park
 Heathcote Lane
 Weymouth, Dorset, UK, DT98 3DD
 TEL: 01929 418000
 FAX: 01929 418000

MTR906A
 AIRWAVE SOLUTIONS LTD
PROPOSED INSTALLATION SOUTH EAST ELEVATION
 Scale: 1:500
 Site no. 140056
 site name ALEXANDRA PALACE
 NGW SITE
 ALEXANDRA PARK
 HARRINGEY
 GREATER LONDON, N22 798
 Eastings and Northings
 529700 190100
 NGR: TD 29700 90100
 Date: 22.12.03
 Dwn: WHF

TR/Gr	Sheet Type	No. Issues	App
P	15590_DB_100_M07_07		KW

The Chief Planning Officer
Planning, Environment Policy & Performance
Haringey Council
639 High Road
Tottenham
N17 8BD

Paul Williams
Asset Surveyor

Paul.williams2@ngridwireless.com
Direct tel +44 (0)1707 624514
Direct fax +44 (0)1707 624511
Mobile +44 (0)7852 442446

<http://www.nationalgridwireless.com>

28th January 2008
Our Reference PW/79242/Airwave Services

Dear Sir or Madam

**AIRWAVE SERVICES LTD, ALEXANDRA PALACE, ALEXANDRA PARK, WOOD
GREEN, LONDON, N22 7BB**
SUBMISSION OF PLANNING AND LISTED BUILDING CONSENT APPLICATION.

Following the prior consultation in connection with the above, on behalf of Airwave Services Ltd, we submit herewith applications for planning permission and listed building consent for the installation of electronic communications apparatus at the above site. We accordingly enclose the following:

- i. The requisite numbers of your completed planning and listed building consent application forms.
- ii. The requisite numbers of an O.S site plan scale 1:1250 referenced **15590_00_004_01** showing the red lined area
- iii. Drawing Numbers: **P15590_08_100_M07_07**
P15590_08_150_M07_07
P15590_08_160_M07_07
- iv. The relevant certificate of land ownership
- v. A cheque in the sum of £265.00 in respect of the appropriate planning application fee
- vi. Your sustainability checklist
- vii. Documentation regarding the Airwave service, how it operates and who it benefits.

Background

The Airwave service is a secure digital radio network designed, built and maintained by Airwave and dedicated for the exclusive use of the UK's emergency and public safety services.

It's designed to carry voice and data communications and the service offers enhanced levels of coverage across the whole of England, Wales and Scotland. This means that it is much easier for users to stay in communication even in areas where radio coverage has often failed in the past.

Its ability to withstand disaster situations when standard networks have been known to fail is constantly being developed and all voice and data is secure from eavesdropping as the Airwave service uses encryption.

To enable the level of service demanded by emergency and public safety users, the Airwave service is specifically built to deliver the five operational imperative services known as touchstones, Coverage, Responsiveness, Resilience, Security and Interoperability.

Coverage

Airwave's nationwide guaranteed coverage is extensive; it includes major and minor roads and many remote areas. The Airwave service has been engineered to provide clear communications when normal GSM, GPRS or fixed lines may overload and fail.

Responsiveness

Airwave gives immediate data and voice communications access. An end-to-end managed service backs up guaranteed fast response with push-to-talk communications between users.

Resilience

Resilience is built into the network at several levels, routes and key components are duplicated. The Airwave service is not reliant on a single network management centre and has been designed to withstand even the most aggressive attack or serious failure.

Security

Airwave operates an encrypted network; criminals, malicious eavesdroppers nor the media can listen in and thwart emergency operations.

Interoperability

The Airwave service has the technical capability to allow communications between the Emergency Services (Police, Ambulance, Fire) and any public safety organisation that is

approved by Ofcom to be an Airwave service user. A pan Government committee is examining operational and administrative procedures to enable effective interoperations and will ultimately agree communication practice between the Emergency Services over the Airwave service

The Application Proposals

As part of the continued development of the communications network, the applicant has a requirement to install relatively minor electronic communications apparatus at Alexandra Palace both on the existing mast and within the internal equipment room. This includes;

- Two dish antennas to be located on the mast.
- One small equipment rack located within the existing internal radio equipment room. Planning permission is not required for this element of the development. It is also respectfully suggested that as the cabinets will not prejudice the special interest of the listed building, listed building consent is also strictly not required, but sought in this case for completeness
- Ancillary development mainly considering of feeder cables to link the proposed antennas and radio equipment contained within the internal room.

Planning Policy Considerations

Government policy, set out in PPG8, is to facilitate the growth of new and existing communications systems, whilst keeping the environmental impact to a minimum. Particular emphasis is placed on the well-established national policies for the protection of the countryside and urban areas. Planning Authorities are encouraged to respond positively to proposals for communication development and to understand the special problems and technical needs. In order to keep the environmental impact to a minimum Government attaches considerable importance to keeping the number of radio and telecommunications masts and of the sites for such installations to the minimum. Accordingly, it attaches considerable importance to the use of existing masts and buildings in advance of proposals for new masts.

In formulating their proposals the applicants have also regard to the policies contained within the adopted Unitary Development Plan (the UDP). These echo Government policy set out above and specific to the current application these;

- Seek to ensure that developments preserve or enhance the historic character and qualities of conservation areas – Policies CSV1 and CSV5;
- Seek to preserve or enhance the character and appearance of listed buildings – Policies CSV2 and CSV4;
- Seek to conserve and enhance historic parks, gardens and landscapes – Policy OS7
- Permit telecommunications apparatus where they would not significantly damage the visual quality, landscape or setting of the area including environmentally sensitive areas and buildings – Policy UD11

The current proposals are minimal in size and nature and have been designed and sited so as to accord with Government and local planning policy. First and foremost, the proposed antennas would be located on an existing mast located on an existing building and in this respect the application is in accordance with national policies aimed at sharing existing structures and reducing the demand for new masts.

To satisfy the applicant's requirements, two dish antennas would be located on the mast at heights of 30m and 45m above ground level. Given their limited size and siting against the backdrop of the existing mast, the dish antennas will preserve the character and appearance of the conservation area and the listed building and will have no adverse impact upon the historic parkland at Alexandra Palace.

The required radio equipment will be located within the internal equipment room and will have no impact upon the character of the building and area. Finally the feeder cables will run along existing cable trays and again will not be a visible feature.

Having regard for the above, it is our firm opinion that the development will be in full accordance with the national and local planning policy framework that applies.

Design and Access Statement

Whilst the detailed design has been formulated to satisfy the applicant's technical requirements, careful attention has been given to the architectural and historic interest of both the palace and conservation area. In this case and to satisfy the requirements, only two small dishes are proposed. These have been designed and sited in order to match existing dishes and to be seen against the backdrop of the existing substantial mast. In order to reduce visual impact further, all radio equipment will be located within the existing radio equipment room and the feeder cables will run along existing cable trays.

Accordingly the proposals will preserve the special interest of the listed building, conservation area and historic park and importantly will obviate the need for a new mast in the area which would have a far greater environmental impact.

The access arrangements to the park are unchanged and it is stressed that access to the site is strictly limited to authorised personnel.

ICNIRP Certification

As with all installations on sites owned or controlled by National Grid Wireless such as this, the development has been designed to comply with ICNIRP Guidelines.

We trust everything is in order but if you require any further information or clarification, please do not hesitate to contact the undersigned.

Conclusion

Best practice clearly requires the provision of full supporting information and we trust the supporting material submitted in fulfilment of this assists the determination of the application. However, if you do require any clarification please let us know.

We would be willing to meet and discuss the merits of the applications or to assist with any site visits of the site and surrounding area if that will help, please let us know.

We trust everything is in order, but if you do require any further information or clarification, please do not hesitate to contact Paul Williams, whose contact details are set out above.

Yours faithfully



Paul Williams BA (hons)
Asset Surveyor
National Grid Wireless

Town & Country Planning Act 1990

Planning Application Form TP1 - Part 1

FOR OFFICE USE ONLY			
Ref	Date Received	/	/
Receipt no.	Fee		
Cheque/PO/Cash			

1 Applicant Please use BLOCK CAPITALS

Name	AIRWAVE SERVICES LTD
Address	C/O AGENT
Postcode	
Tel no.	

Agent

Name	NATIONAL GRID WIRELESS
Address	BROOKMANS PARK TRANSMITTING STATION, GREAT NORTH ROAD, BROOKMANS PARK MATFIELD
Postcode	AL9 6NE
Tel no.	01707 624514

2 Address or location of application site Please outline in RED on location plan

ALEXANDRA PALACE, ALEXANDRA PARK, WOOD GREEN, LONDON, N22 7BB

Site area in hectares/m². 625 Ha/m²
Approx

Does the applicant own or control any adjoining land?
If yes, please outline in BLUE on location plan.

YES NO

3 Description of proposed development

INSTALLATION OF TWO 0.389m DISH ANTENNAS ON EXISTING MAST, EQUIPMENT RACK IN EXISTING INTERNAL RADIO EQUIPMENT ROOM AND DEVELOPMENT ANCILLARY THERETO

What is the present use of land or buildings? If vacant, give last known use and when use ceased.

COMMUNICATIONS MAST ON EXISTING PALACE

Does the proposal involve any of the following?

- A) New building(s) or extension(s) to existing building(s).
If yes, what is the gross floor area of the proposed building(s)?
- YES NO
- N/A Ha/m²
- B) Change of use
If yes, what is the gross area of land or building(s) affected by proposed change of use?
- YES NO
- Ha/m²
- C) Alterations involving new floors pace
- YES NO
- D) Construction of a new access to a highway
- YES NO
- E) Alterations to an existing access to a highway
- YES NO
- F) The loss or felling of any trees
If yes, please show precise location on the plans.
- YES NO

4 Type of application

A. Full planning application.

YES NO

B. Outline planning permission.

If yes, please tick those matters for which approval is reserved for future consideration.

YES NO

Siting Access Design External appearance Landscaping

C. An application for the removal or alteration of a condition on previous permission.

YES NO

If yes, please state previous application number.

D. An application for renewal or continuation of permission.

YES NO

If yes, please state previous application number.

E. An Application for the retention of works or continuation of use commenced without permission.

YES NO

5 Plans and drawings submitted with this application

Please list all plans and drawings forming part of this application.

15590.00.004.01 - SITE AREA & LOCATION MAPS, 15590.08.100.07.07 - SOUTH EAST ELEVATION

15590.08.150.107.07 - SITE PLAN PROPOSED, 15590.08.160.107.07 - PROPOSED HEADFRAME DETAILS

Please specify, if appropriate, type and colour of materials proposed here and on your plans.

TWO POLYMER DISH ANTENNAS WHICH CAN BE EITHER GREY OR WHITE.

RADIO EQUIPMENT HOUSED INTERNALLY.

6 Declaration

I/ We hereby apply for planning permission to carry out the development described in this application and the accompanying plans and drawings.

Signed P. Wilton (NATIONAL GRID WIRELESS)
On behalf of AIRWAVE SERVICES LTD

Date JANUARY 2008

7 Certificate A - Ownership

A OWNER is any person who owns the freehold, or has a lease with at least seven years remaining on ANY PART of the application site. If you are the SOLE OWNER of the whole site complete certificate A below.

Certificate A

Under Article 7 of the Town and Country Planning (General Development Procedure) Order 1995 I certify that:

- 21 days before the date of this application nobody, except the applicant, was the owner of any part of the land to which this application relates.
- None of the land to which the application relates is, or is part of, an agricultural holding.

Signed _____
On behalf of _____

Date _____

8 Certificate B

This is to be completed if you are NOT the sole owner of the application site and is to confirm that you have given the requisite notice to all owners. An example of how to give notice is on the back of this form.

I certify that

1. I have/ the applicant has given the requisite notice to everyone else who, on the day 21 days before the date of the accompanying application, was the owner of any part of the land to which the applicant relates as listed below.

Owners name ALEXANDRA PALACE CHARITABLE TRUST
Address at which notice served ALEXANDRA PALACE, WOOD GREEN, LONDON, N22 7AY

Date notice served 21st JANUARY 2008

2. None of the land to which the application relates is, or is part of, an agricultural holding.

Signed P. Wilson (NATIONAL GRID WIRELESS)
On behalf of AIRWAVE SOLUTIONS LTD

Date 21st JANUARY 2008

Checklist

Please use this list to check that your application for planning permission has been completed correctly.

Have you provided 4 copies of plans for each separate application showing clearly and accurately, to a metric scale, the existing site or building (including uses) and what changes you intend to make?

YES <input checked="" type="checkbox"/>	NO <input type="checkbox"/>
---	-----------------------------

Have you provided 4 copies of a location plan, drawn to scale with the site outlined in red and any other land in the same ownership outlined in blue?

YES <input checked="" type="checkbox"/>	NO <input type="checkbox"/>
---	-----------------------------

Have you provided enough information, including good quality photographs, of the site so that your proposals can be fully understood?

YES <input checked="" type="checkbox"/>	NO <input type="checkbox"/>
---	-----------------------------

Have you signed, dated and fully completed 4 copies of the application form for each separate application?

YES <input checked="" type="checkbox"/>	NO <input type="checkbox"/>
---	-----------------------------

Have you given full information on who owns the land involved? Have the correct notices been served on the owners (if there are other owner's apart from the applicant)?

YES <input checked="" type="checkbox"/>	NO <input type="checkbox"/>
---	-----------------------------

Is the correct fee attached? (See separate list of fees available on request). If no fee is payable please state the reason for exemption here.

--

YES <input checked="" type="checkbox"/>	NO <input type="checkbox"/>
---	-----------------------------

Have you filled out the Sustainability Checklist from the Supplementary Planning Guide 9 and the Equalities form?

YES <input checked="" type="checkbox"/>	NO <input type="checkbox"/>
---	-----------------------------

Please note that if you cannot tick all the questions above your application is probably incomplete and cannot be dealt with if submitted.

We advise you to fill out the Sustainability Checklist from the Supplementary Planning Guide 9 to ensure your development is environmentally friendly. Please also complete the Equalities form, which allows us to monitor the service we provide.

If you require any help in filling out this form contact Development Control 020 8489 5508

When complete send this form plus:

4 copies of all drawings and plans

To: Planning, Environmental Policy and Performance
639 High Road
Tottenham
London N17 8BD



Town & Country Planning (Listed Building & Conservation Areas) Act 1990

Planning Listed Building & Conservation Areas Regulations 1990

FOR OFFICE USE ONLY

Ref Date Received / /
Receipt no. Fee
Cheque/PO/Cash

Application For Listed Building Consent /Conservation Area Consent

You are reminded that approval may also be required under Building Regulations and/or the Town & Country Planning Act 1990

1 Applicant Please use BLOCK CAPITALS

Name AIRWAVE SERVICES LTD
Address C/O AGENT
Postcode
Tel no.

Agent

Name NATIONAL GRID WIRELESS
Address BROOKMANS PARK TRANSMITTING STATION, GREAT NORTH ROAD, BROOKMANS PARK, HATFIELD
Postcode AL9 6NE
Tel no. 01707 624514

2 Address or location of application site Please outline in RED on location plan, with any adjoining land and/or building(s) which the applicant owns/controls edged in BLUE

ALEXANDRA PALACE, ALEXANDRA PARK, WOOD GREEN, LONDON, N22 7BB

3 Statutory List Grading of Building and/or Conservation Area within which the building is located.

List Grade:-

- I
II*
II (checked)

Conservation Area:-

4 Type of application Please tick appropriate box

Listed Building Consent [checked]

(ie: Application for works to a Listed Building)

Conservation Area Consent []

(ie: Application for consent to demolish or part demolish an unlisted building in a Conservation Area)

5 Description of proposed development

INSTALLATION OF TWO 0.3m DISH ANTENNAS ON EXISTING MAST, EQUIPMENT RACK IN EXISTING INTERNAL RADIO EQUIPMENT ROOM AND DEVELOPMENT ANCILLARY THERETO.

What is the present use of land or buildings? If vacant, give last known use and when use ceased.

COMMUNICATIONS MAST ON EXISTING PALACE

6 State the purpose for which the works are to be carried out

TO IMPROVE THE EXISTING DIGITAL RADIO NETWORK OF AIRVAUE SERVICES LTD SURROUNDING ALEXANDRA PARK.

If planning permission has been sought or granted for the carrying out of works to the building or for any change of use of the building or land within its curtilage, state the date and reference number of the application or permission

Date

Number

7 Description of the works to be carried out (as shown on plans & drawings listed in Question 9)

A. Describe any demolition (including demolition or removal of any part of the building)

NONE

B. Describe any alterations

THE ADDITION OF TWO DISH ANTENNA ON THE EXISTING MAST TOGETHER WITH SUPPORTING STEELWORK AND ANCILLARY APPARATUS INCLUDING FEEDER CABLES. EQUIPMENT RACK TO BE LOCATED IN EXISTING INTERNAL RADIO EQUIPMENT ROOM.

C. Describe any extensions

NONE

8 If proposals involve alterations and/or extensions state:

A. The types and colours of the materials and applied finishes to be used for the external surfaces of the walls and roofs of the new work.

THE PROPOSED ANTENNAS WOULD MATCH THE FINISH AND APPEARANCE OF THOSE EXISTING

B. The style, materials and colours of applied finishes to be used for windows, doors and other features

NOT APPLICABLE

C. The materials and finishes to be used for internal work

EQUIPMENT RACK IN EXISTING RADIO EQUIPMENT ROOM. THIS WILL BE FREESTANDING

D. Effect on objects or structures fixed to the building or lying within its site

NO MATERIAL EFFECT ON MAST OR BUILDING

9 Plans and drawings submitted with this application

Please list all plans and drawings forming part of this application.

ISS90-00-004-01 - SITE AREA & LOCATION MAPS , ISS90-08-100-M07-07- SOUTH EAST ELEVATION
ISS90-08-150-M07-07 - SITE PLAN PROPOSED , ISS90-08-160-M07-07 - PROPOSED HEADFRAME DETAILS

10 Certificates

Please indicate which Section 11 Certificate is submitted with the application (see accompanying notes or consult the Planning Department)

A	<input type="checkbox"/>	B	<input checked="" type="checkbox"/>
C	<input type="checkbox"/>	D	<input type="checkbox"/>

11 Declaration

I/ We hereby apply for listed building consent/ conservation area consent to carry out the works described in this application and the accompanying plans and drawings.

Signed: P. WILSON (NATIONAL GRID WIRELESS)
On behalf of AIRWAVE SERVICES LTD

Date 28 th JANUARY 2008

12 Section 11 Certificate

- If you are the sole owner of all the land to which the application relates complete Certificate A.
- If any part of the application extends beyond land in your exclusive ownership, complete Certificate B and send notice (in the form set out below) to each owner and indicate on the plans submitted who owns which part of the site. Leaseholders must serve notice on freeholders.
- If you know the names and addresses of some, but not all of the owners of the land to which the application relates, you should give notice in the form shown. The newspaper notice should be published not earlier than 20 days before the date of the application. You should then complete Certificate C.
- If you don't know the names and addresses of any of the owners of the land to which the application relates, you should give notice of the application in a local newspaper, in the form shown. This notice should be published not earlier than 20 days before the date of application. You should then complete Certificate D.
- Any person who knowingly or recklessly issues a certificate which contains any statement which is false or misleading in a material particular is liable on conviction to a fine not exceeding £100.
- For the purpose of the certificate in this application "Owner" means any person having a freehold interest or a leasehold interest with at least seven years unexpired and "land" includes a building or buildings.

13 Certificate A - Ownership

A OWNER is any person who owns the freehold, or has a lease with at least seven years remaining on ANY PART of the application site. If you are the SOLE OWNER of the whole site complete certificate A below.

Certificate A

Under Article 7 of the Town and Country Planning (General Development Procedure) Order 1995 I certify that:

1. 21 days before the date of this application nobody, except the applicant, was the owner of any part of the land to which this application relates.
2. None of the land to which the application relates is or is part of an agricultural holding.

Signed
On behalf of

Date

14 Certificate B

This is to be completed if you are NOT the sole owner of the application site and is to confirm that you have given the requisite notice to all owners. An example of how to give notice is on the back of this form.

I certify that

1. I have/ the applicant has given the requisite notice to everyone else who, on the day 21 days before the date of the accompanying application, was the owner of any part of the land to which the applicant relates as listed below.

Owners name	ALEXANDRA PALACE CHARITABLE TRUST
Address at which notice served	ALEXANDRA PALACE LYDSD GREEN, LONDON, N22 7AY

Date notice served	21st JANUARY 2008
--------------------	-------------------

2. None of the land to which the application relates is, or is part of, an agricultural holding.

Signed	P. WILLY (NATIONAL GRID WIRELESS)
On behalf of	AIRWAVE SOLUTIONS LTD

Date	21st JANUARY 2008
------	-------------------

Notice to be served on owner

Planning (Listed Buildings and Conservation Areas) Act 1990 Notice for service on individuals

Proposal for:

Demolishing

Altering

Extending

Varying or discharging conditions

At the location of:

Name	EXISTING COMMUNICATIONS MAST AND INTERNAL EQUIPMENT ROOM
Address	ALEXANDRA PALACE, LYDSD GREEN, LONDON
Postcode	N22 7BB

TAKE NOTICE that application is being made to the London Borough of Haringey by AIRWAVE SOLUTIONS LTD (name of applicant)

For:

Listed Building Consent

Conservation Area Consent

Varying or discharging conditions

Proposed works, variations or discharge:

INSTALLATION OF TWO DISH ANTENNA ON EXISTING MAST. EQUIPMENT RACK TO BE LOCATED IN EXISTING INTERNAL RADIO EQUIPMENT ROOM AND DEVELOPMENT ANCILLARY THERETO

If you wish to make representations about the application, you should make them in writing to a Planning Officer no later than 20 days from which the notice is served. Planning, Environmental Policy and Performance, Environmental Services, 639 High Road, N17 8BD

Signed	P. WILLY NATIONAL GRID WIRELESS
On behalf of	AIRWAVE SOLUTIONS LTD

Date	21st JANUARY 2008
------	-------------------

We advise you to fill out the Sustainability Checklist from the Supplementary Planning Guide 9 to ensure your development is environmentally friendly. Please also complete the Equalities form, which allows us to monitor the service we provide.

If you require any help in filling out this form contact Development Control 020 8489 5508

When complete:

- Return 6 copies of this form
- 6 copies of all drawings and plans
- the appropriate Section 66 Certificate duly completed

To: Planning, Environmental Policy and Performance
639 High Road
Tottenham, London N17 8BD

nationalgrid
Wireless

Brookmans Park Transmitting Station
Great North Road
Brookmans Park
Hatfield
Herts AL9 6NE

FAO David Loudfoot
Alexandra Palace Charitable Trust
Alexandra Palace
Wood Green
London
N22 7AY

Mr Paul Williams
Asset Surveyor

Paul.williams2@ngridwireless.com
Direct tel +44 (0)1707 624514
Direct fax +44 (0)1707 624511

www.nationalgrid.com/wireless

21st January 2008

Your ref:
Our Ref: PW/79242

Dear Mr Loudfoot,

Town and Country Planning Act 1990
Notice of Planning and Listed Building Consent Applications
Electronic Communications Development at Alexandra Palace, Alexandra Park, Wood Green, London, N22 7BB.

I refer to the above and enclose for your information certificated advising of our intention to submit applications for planning permission and listed building consent for the installation of electronic communications apparatus at Alexandra Palace for Airwave Solutions Ltd. This is required to further enhance the digital radio network designed, built and maintained by Airwave and dedicated for the exclusive use of the UK's emergency and public safety services.

Yours sincerely



National Grid Wireless

National Grid Wireless is a trading name for:
National Grid Wireless No 2 Limited
Registered Office: 1-3 Strand, London WC2N 5EH
Registered in England, No 3922958



14 Certificate B

This is to be completed if you are NOT the sole owner of the application site and is to confirm that you have given the requisite notice to all owners. An example of how to give notice is on the back of this form.

I certify that

1. I have/ the applicant has given the requisite notice to everyone else who, on the day 21 days before the date of the accompanying application, was the owner of any part of the land to which the applicant relates as listed below.

Owners name <u>ALEXANDRA PALACE CHARITABLE TRUST</u>
Address at which notice served <u>ALEXANDRA PALACE</u> <u>WOOD GREEN, LONDON, N22 7AY</u>

Date notice served <u>21st JANUARY 2008</u>

2. None of the land to which the application relates is, or is part of, an agricultural holding.

Signed <u>P. WILKINSON (NATIONAL GRID WIRELESS)</u>
On behalf of <u>AIRWAVE SOLUTIONS LTD</u>

Date <u>21st JANUARY 2008</u>

Notice to be served on owner

Planning (Listed Buildings and Conservation Areas) Act 1990 Notice for service on individuals

Proposal for:

Demolishing

Altering

Extending

Varying or discharging conditions

At the location of:

Name <u>EXISTING COMMUNICATIONS MAST AND INTERNAL EQUIPMENT ROOM</u>
Address <u>ALEXANDRA PALACE, WOOD GREEN, LONDON</u>
Postcode <u>N22 7BS</u>

TAKE NOTICE that application is being made to the London Borough of Haringey by AIRWAVE SOLUTIONS LTD
(name of applicant)

For:

Listed Building Consent

Conservation Area Consent

Varying or discharging conditions

Proposed works, variations or discharge:

<u>INSTALLATION OF TWO DISH ANTENNA ON EXISTING MAST. EQUIPMENT RACK TO</u> <u>BE LOCATED IN EXISTING INTERNAL RADIO EQUIPMENT ROOM AND DEVELOPMENT</u> <u>ANCILLARY THERETO</u>
--

If you wish to make representations about the application, you should make them in writing to a Planning Officer no later than 20 days from which the notice is served. Planning, Environmental Policy and Performance, Environmental Services, 639 High Road, N17 8BD

Signed <u>P. WILKINSON (NATIONAL GRID WIRELESS)</u>
On behalf of <u>AIRWAVE SOLUTIONS LTD</u>

Date <u>21st JANUARY 2008</u>

We advise you to fill out the Sustainability Checklist from the Supplementary Planning Guide 9 to ensure your development is environmentally friendly. Please also complete the Equalities form, which allows us to monitor the service we provide.

If you require any help in filling out this form contact Development Control 020 8489 5508

When complete:

- Return 6 copies of this form
- 6 copies of all drawings and plans
- the appropriate Section 66 Certificate duly completed

To: Planning, Environmental
Policy and Performance
639 High Road
Tottenham, London N17 8BD

Town & Country Planning (General Development Procedure) Order 1995

NOTICE UNDER ARTICLE 6 OF APPLICATION FOR PLANNING PERMISSION

Proposed development at Alexandra Palace, Alexandra Park, Wood Green, London, N22 7BB

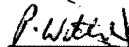
We give notice that Airwave Solutions Ltd

is applying to London Borough of Haringey Council

for planning permission to install two dish antennas on existing mast, equipment rack in existing internal radio equipment room and development ancillary thereto.

Any owner of the land or tenant who wishes to make representations about this application should write to the Council at Planning, Environmental Policy and Performance, Environmental Services, 639 High Road, N17 8BD by 21 days from the date of this notice.

Signed



National Grid Wireless

On behalf of

Airwave Solutions Ltd

Date

21st January 2008

Statement of owner's rights

The grant of planning permission does not affect owners' rights to retain or dispose of their property, unless there is some provision to the contrary in an agreement or in a lease.

Statement of agricultural tenants' rights

The grant of planning permission for non-agricultural development may affect agricultural tenants' security of tenure.

HARINGEY SUSTAINABILITY CHECKLIST

To accompany all applications for planning permission, listed building consent and conservation area consent

N.B. THIS FORM IS IN TWO PARTS

PART A: Question Nos. 1 - 20 - to be answered for ALL APPLICATIONS (including major ones)

PART B: Question Nos. 21 - 27 **ADDITIONAL** questions for **MAJOR APPLICATIONS ONLY**
 A major application is one which is for 10 or more dwellings or where the proposed floorspace exceeds 1000 sq. m. or if the site is 1 hectare or larger

PART A: ANSWER THESE QUESTIONS FOR ALL PLANNING AND LISTED BUILDING APPLICATIONS

Sustainability Issue		UDP Policy/SPG	✓	Tick box if you have taken this into account	Office Use Case No: HGY/ / Officer's comment
			State how you have taken this into account or if not, or not applicable, state why not		
SC1	Environmental Pollution	Air Quality Does the scheme provide for or encourage non high emission road vehicles e.g. bicycles, electric cars etc? If new housing is proposed will energy efficient condensing boilers be installed?			
		UD1 - 2, ENV6, M3 - 4 & M7; SPG7b, SPG8c, & SPG8i; PPG23	<input type="checkbox"/>	NOT APPLICABLE	
SC2	Environmental Resources/Pollution	Noise/Fumes/Light/Glare & Land Contamination Is disturbance from noise, fumes, chemicals, solvents, or other pollutants avoided? Can external artificial lighting cause problems? Can materials cause glare? Is the land potentially contaminated and if so has a site investigation been carried out?			
		UD2, ENV5, ENV7, EMP6, TCR1 & TCR5; SPG6c, SPG8b, SPG8c, SPG8e & SPG8f; PPG23 & 24	<input type="checkbox"/>	NO CONTAMINATION GENERATED	
SC3	Environmental Resources/Pollution	Waste Storage & Recycling Facilities Is provision made for external and internal storage for waste separation/collection and recycling? If the scheme is large, has a waste management plan been provided?			
		UD6 & ENV8; SPG8a	<input type="checkbox"/>	NO WASTE GENERATED BY DEVELOPMENT	
SC4	Environmental Resources	Solar Design & Renewable Energy Is the siting, layout and design of the scheme maximising the potential for (on site and adjoining) daylighting, passive solar gain and natural ventilation? Are there any photovoltaic (PV) or solar panels?			
		ENV6; SPG8c; PPG22 & Annex	<input type="checkbox"/>	NOT APPROPRIATE	
SC5	Environmental Resources	Efficient Use of Land and Buildings Are existing buildings to be reused or if redeveloped will the buildings be more sustainable than those existing? Will there be a sharing or mix of uses on the site?	✓		
		UD5, EMP5, EMP7 & CW1; PPG3	<input checked="" type="checkbox"/>	EXISTING MAST AND RADIO EQUIPMENT ROOM TO BE USED	

Sustainability Issue		UDP Policy/ PPG etc	<input checked="" type="checkbox"/> Tick box if you have taken this into account State how you have taken this into account or if not, or not applicable, state why not	Office Use Officer's comment
SC6	Sustainable Materials Is provision made for reusing reclaimed materials or those which have been recycled, and or/easily replaceable without harm to the environment?	ENV6; SPG8b	<input type="checkbox"/> NOT APPROPRIATE	
SC7	Sustainable Drainage & Water Conservation What measures for water conservation are being made? Is provision made for sustainable drainage systems, grey water recycling or rainwater harvesting? If new development is proposed, has a drainage impact assessment been provided?	ENV1-2; SPG8b, SPG9 Appendix 1: PPG23 & PPG25	<input type="checkbox"/> NOT APPROPRIATE	
SC8	Trees/Landscape What provision is made for existing/new trees and has a landscape scheme (including survey of existing trees) been submitted?	UD3, OS6 & OS16; SPG8d	<input type="checkbox"/> NONE: NOT APPLICABLE	
SC9	Biodiversity & Ecological Heritage Is provision made for natural wildlife, which includes plants/habitat, retention and creation?	UD3, OS5, OS10; SPG8d & SPG8g; PPG9	<input type="checkbox"/> NO: NOT APPLICABLE	
SC10	Listed Buildings & Locally Listed ones Does the scheme affect the character appearance of any historic building or structure on the site or adjoining the site or the setting of a listed building? Is a locally listed building affected?	CSV1 - 3, CSV5; SPG2; & PPG 15	<input checked="" type="checkbox"/> YES: IMPACT MINIMISED BY USE OF EXISTING MASS, MINOR NATURE OF DEVELOPMENT AND CAREFUL SITING	
SC11	Conservation Area & Other Built Heritage Is there an impact on the character or appearance of a conservation area or an adjoining one? Is a site of archaeological importance or industrial heritage affected?	CSV1 - 5, SPG2; PPG15 & PPG 16	<input checked="" type="checkbox"/> AS ABOVE: CHARACTER AND APPEARANCE OF CONSERVATION AREA PRESERVED	

Sustainability Issue		UDP Policy/ PPG etc	<input checked="" type="checkbox"/> Tick box if you have taken this into account	Office Use: Officer's comment
			State how you have taken this into account or if not, or not applicable, state why not	
SC12 Environmental/Social	Urban Design Quality, Views & Public Art Does the scheme have a positive visual impact on the immediate local/wider area and views? Is this supported in an accompanying urban design statement? Is there to be a Percent for Arts contribution ?	UD1, UD3 - 4; SPG1a - 1c, PPG1, PPG8 & PG22	<input type="checkbox"/>	NOT APPLICABLE
SC13 Social	Designing out Crime and Designing for Privacy Does the design of the development unduly affect the safety of users? Is privacy safeguarded in a way which does not compromise safety?	AC3 - 4, UD2 - 3; SPG3b & SPG5	<input checked="" type="checkbox"/>	DEVELOPMENT WILL ENHANCE THE UK'S EMERGENCY AND PUBLIC SAFETY RADIO NETWORK
SC14 Social/Economic	Accessed By All Will pedestrians be able to move safely around the site ? Is access to all parts of the scheme possible by those who are frail, are in a wheelchair, pushing a pram or otherwise mobility impaired?	UD2 & M3; SPG4 & SPG7a	<input checked="" type="checkbox"/>	NO IMPACT ON MOBILITY OF VISITORS TO SITE
SC15 Environmental/Social	Open Space Is there to be a loss or gain in public formal/ informal open space or openness of Green Belt or Metropolitan Open Land?	AC1, AC3 - 4, OS1 - 4, OS7 - OS9, OS14; SPG10a & SPG10d	<input checked="" type="checkbox"/>	NO LOSS OF OPEN SPACE
SC16 Social	Affordable Housing If this is a housing scheme, will there be any "affordable" housing contribution?	HSG4 & EMP7; SPG10a & SPG10b; PPG3	<input type="checkbox"/>	NOT APPLICABLE
SC17 Social/Economic	Education/Health Facilities Will there be a potential affect on the demand or provision for school places, health services such as GPs?	UD10, CW2; SPG10a, SPG10c & SPG11b; PPG1 & PPG12; Circular 1/97	<input checked="" type="checkbox"/>	No

Sustainability Issue		UDP Policy/ PPG etc	<input checked="" type="checkbox"/> Tick box if you have taken this into account State how you have taken this into account or if not, or not applicable, state why not	Office Use Officer's comment
SC18	Leisure & Cultural	OS8, OS11 - 12, CCT1 - CCT5; SPG10a & SPG11b; PPG17	<input checked="" type="checkbox"/>	
	Facilities Is a leisure (e.g. a cinema an allotment etc) or cultural facility lost or gained?		NO	
SC19	Local Shops/Services	TCR3 & 4; PPG 6	<input type="checkbox"/>	
	Will there still be an appropriate range of local shops and services to meet local needs?		NOT APPLICABLE	
SC20	Jobs & Training	AC1 -2, UD10, EMP 1 - 3 & EMP 5; SPG10a, PPG 4	<input checked="" type="checkbox"/>	
	Will local access to temporary and/or permanent jobs be lost or provided? Will there be opportunities for training local underqualified labour?		NO IMPACT ON JOBS OR TRAINING	

PART B: ANSWER THE FOLLOWING ADDITIONAL QUESTIONS FOR MAJOR SCHEMES ONLY

(Major schemes, for this purpose, are for 10 or more dwellings or where the proposed floorspace exceeds 1000 sq. m. or if the site is 1 hectare or larger)

SC21	Other Renewable Energy	UD1 & ENV6; PPG22 & Annex	<input checked="" type="checkbox"/>	
	Has an energy assessment been provided? In addition to those matters mentioned under item 4 above, will there be any other forms of renewable energy (CHP, windmills etc)?		NO	
SC22	Demands for Public Transport	UD10; SPG7c, SPG10a & SPG10e	<input checked="" type="checkbox"/>	
	Is the nature of the scheme such that it could generate increased demand for public transport facilities?		NO	
SC23	Major Trip Generating	UD1; SPG7c & SPG8i; PPG13	<input checked="" type="checkbox"/>	
	or more than 1000 sq. m Is a traffic impact assessment required and if so, provided? Is a travel plan required? Is an air quality statement (air quality impact assessment) required and if so, provided?		NO TRIPS WILL BE GENERATED BY DEVELOPMENT	

Sustainability Issue		UDP Policy/ PPG etc	<input checked="" type="checkbox"/> Tick box if you have taken this into account	State how you have taken this into account or if not, or not applicable, state why not	Office Use Officer's comment
SC24	Environmental Pollution/Resources Environmental Impact Assessment (EIA) If the proposal is for a development for which an EIA is required has a decision on scoping been submitted?	UD1; SPG8h; EIA Regs 1999; Circ. 02/99; EC Directive	<input checked="" type="checkbox"/>	EIA NOT REQUIRED	
SC25	Economic/Social/ Environmental Other Quality of Life Out of Town Centre Large Retail & Leisure If the proposal is for a scheme of more than 2500 sq.m and is outside a town centre, has a retail or leisure impact assessment been provided?	UD1 & TCR2; SPG7c & SPG8i; PPG 6	<input checked="" type="checkbox"/>	NOT APPLICABLE	
SC26	Environmental Other Quality of Life/Resources Tall/Large buildings Is the site appropriate for a tall building? Have verified views been submitted showing the impact on local views and, if appropriate, views of St Paul's? Are adjoining solar rights affected? Does the ground floor contribute to the public realm?	AC1 & AC2; UD1, UD3, UD4, UD10 & UD11; SPG1a & 1c, SPG3a & 3b, SPG7b & 7c, SPG8a - 8i, SPG10a - 10e	<input type="checkbox"/>	NOT APPLICABLE	
SC27	Economic Other Quality of Life Crèches/Nurseries & Other Community Benefits If the scheme is commercial and over 1000 sq.m, will there be other community benefits such as an associated crèche or nursery facility provided for the workforce on or near site?	UD10 & CW2; SPG10a & SPG11b	<input type="checkbox"/>	NOT APPLICABLE	

THANK YOU FOR COMPLETING THIS FORM
PLEASE RETURN WITH YOUR PLANNING OR LISTED BUILDING APPLICATION FORM

YOUR COMMENTS HERE ON THIS CHECKLIST WOULD BE APPRECIATED!

1. Did you find the checklist easy to use and understand?
YES/NO (please delete as appropriate)

If NO, why not?

2. Any other comments on the checklist?

Supporting Statement

Proposed installation of 2 x 389mm diameter microwave dish antenna at Alexandra Palace (Airwave Site No MTR906A)

Introduction

Airwave Services Limited operates a secure digital radio network on behalf of the UK Government. Completed in March 2005 and covering England, Wales and Scotland, it is a dedicated system for the exclusive use of the UK's emergency and public safety organisations, including the Police, the Fire and Rescue Service and the Ambulance Service. Part of the Government's Critical National Infrastructure, it is designed to operate even during major incidents when conventional mobile and fixed telephony networks may overload or fail. It also allows the emergency services to communicate directly with each other at the scene of an incident.

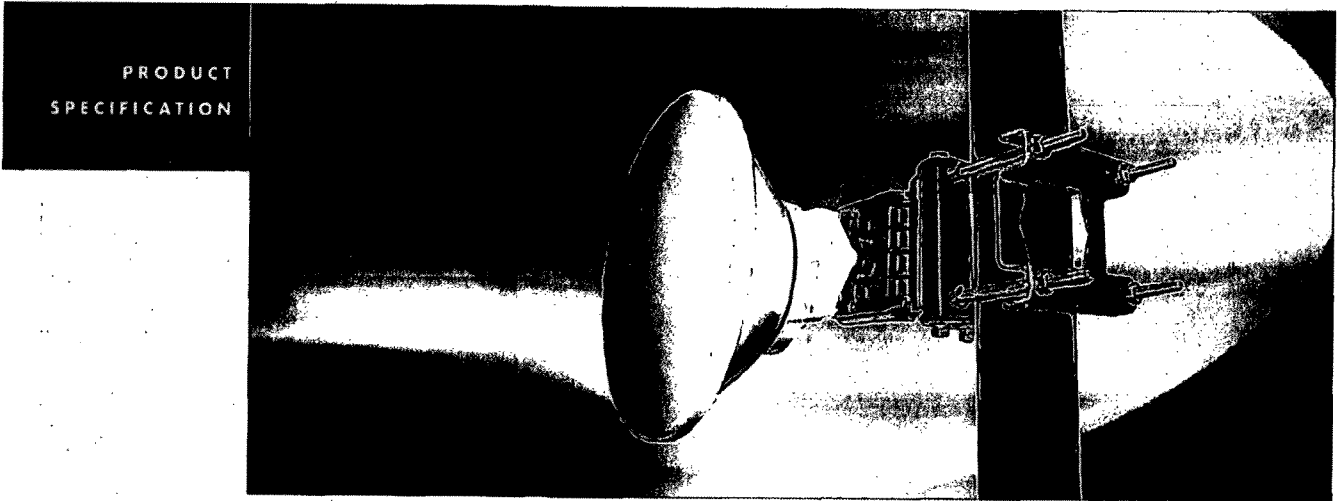
Although the Airwave service already meets stringent reliability criteria, the Government requires further enhancement, known as Ground Based Network Resilience (GBNR), to a large percentage of the Airwave base station network. This involves providing a network of radio links between existing base stations using 'line of sight' dish antennas to duplicate the existing ground based fibre optic cable network links that utilise the BT system and telephone exchanges. Therefore, in the event of BT exchange or network failure, these radio-protected sites would continue to provide full network communications for the emergency services and public safety organisations.

Site History

Alexandra Palace is not an existing site used by Airwave Solutions Ltd.

The Proposal

It is proposed to add 2 x 389mm diameter dish antenna to the existing mast at Alexandra Palace as well as some internal equipment. These dish antenna will support microwave radio 'line of sight' links between Alexandra Palace and 2 other Airwave sites that provide operational radio communications coverage for the emergency services in the local areas of Barnet and Tottenham. Currently these 2 sites do not have radio 'line of sight' between them and are therefore not connectable into the required resilient microwave transmission network for this part of London. Both sites however have radio 'line of sight' to Alexandra Palace so in effect this site will be used as a transmission 'repeater' site and is therefore an essential part of the resilient radio transmission connectivity network



ValuLine® III Next Generation Antennas VHLP1

SPECIFICATIONS

	VHLP1-13	VHLP1-15	VHLP1-18	VHLP1-23	VHLP1-26	VHLP1-28	VHLP1-32	VHLP1-38	VHLP1-58
Frequency Band, GHz	12.70-13.25	14.25-15.35	17.7-19.7	21.2-23.6	24.25-26.5	27.5-29.5	31.8-33.4	37.0-40.0	57.0-59.0
Bottom Band Gain, dBi	30.8	31.6	33.8	34.7	36.2	37.6	38.7	39.6	43.1
Mid Band Gain, dBi	30.9	32.1	34.2	35.3	36.6	38.1	38.9	40.1	43.5
Top Band Gain, dBi	31	32.6	34.6	35.9	37.1	38.6	39.1	40.5	43.3
Beamwidth, degrees	4.7	4.3	3.3	3.0	2.5	2.2	1.8	1.6	1.1
Front/Back, dB	53	54	57	62	63	64	58	61	61
XPD, dB	30	30	30	30	30	30	30	30	NA
Return Loss, dB	17.7	17.7	17.7	17.7	17.7	17.7	17.7	17.7	17.7
Regulatory Compliance									
ETSI Class	R1 C2	R2 C2	R2 C2	R3 C3	R4 C2	R4 C2	R5 C3B	R5 C3B	R6 C3
FCC Part 101	NA	NA	NA	CAT A	NA	CAT A	NA	CAT A	NA
Brazil Anatel	NA	NA	NA	CAT A	CAT A	NA	NA	CAT A	NA
Canada SRSP	CAT B	NA	NA	Note 1	NA	CAT A	NA	CAT A	NA
Andrew RPE Number	7002	7006	7010	7014	7018	7022	7026	7030	7034

Note 1: Meets Canada SRSP 317.7, 318.5, 318.8

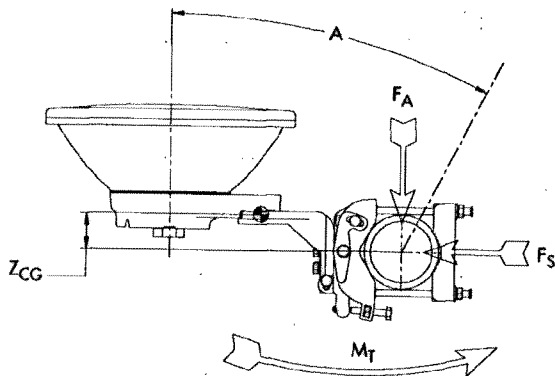
One Company. A World of Solutions.

SPECIFICATIONS

ValuLine® III Next Generation Antennas—VHLP1

Wind Loading

The axial, side, and twisting moment forces stated below are the maximum loads applied to the tower by the antenna at a survival windspeed of 250 km/h (155 mph). They are the result of wind from the most critical direction for each parameter. The individual maximums may not occur simultaneously. All forces are referenced to the antenna mounting pipe.



Axial force	F_A	445 N (100 lbf)
Side force	F_S	196 N (44 lbf)
Moment	M_T	159.3 N-m (117.4 lb-ft)
Angle A for M_T maximum		0°
Z_{CG}^* without ice, mm (in)		47 (1.85)
Z_{CG} with 12 mm (1/2 in) radial ice, mm (in)		92 (3.59)

* Z_{CG} is the axial distance from the center of gravity to the mounting pipe.

Antenna Weights Including Mount

Antenna without ice, kg (lb)	6.45 (14.21)
Antenna with 12 mm (1/2 in) radial ice, kg (lb)	12 (26.5)

Antenna Packed Weights (Gross)

Weight, kg (lb)	8.95 (19.7)
-----------------	-------------

Packed Antenna Dimensions (Single Unit Pack)

Dimensions, cm (in)	63.5 x 45.5 x 32.5 (25 x 18 x 13.75)
---------------------	--------------------------------------



One Company. A World of Solutions.

Andrew Corporation
3 Westbrook Corporate Center
Suite 900
Westchester, IL 60154 US

Customer Support Center
From North America
Telephone: 1-800-255-1479
Fax: 1-800-349-5444

International
Telephone: +1-708-873-2307
Fax: +1-708-349-5444

Internet: www.andrew.com

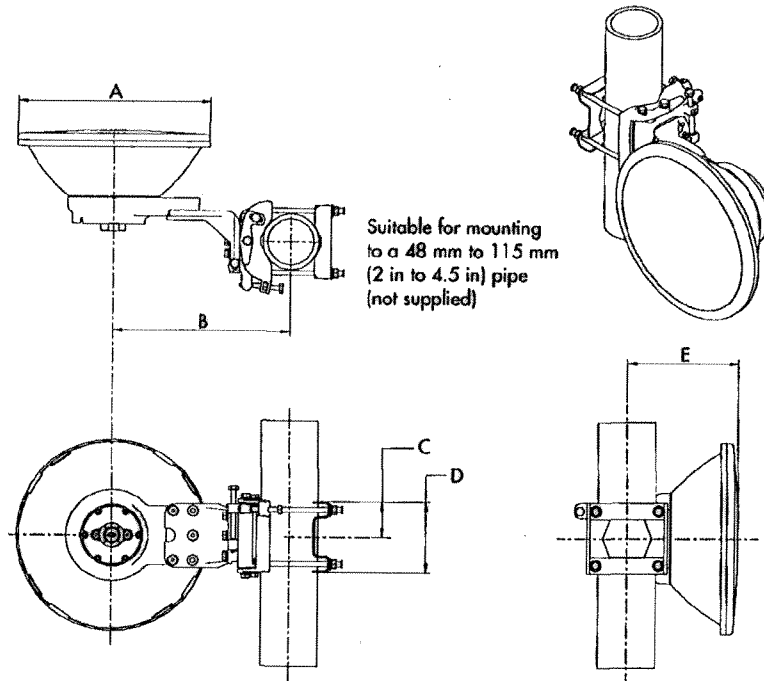
All designs, specifications, and availabilities of products and services presented in this bulletin are subject to change without notice.

Bulletin PA-101027, 1-EN (7/06)

© 2006 Andrew Corporation, Westchester, IL 60154 US

SPECIFICATIONS

ValuLine® III Next Generation Antennas—VHLP1



Antenna Dimensions, mm (in)

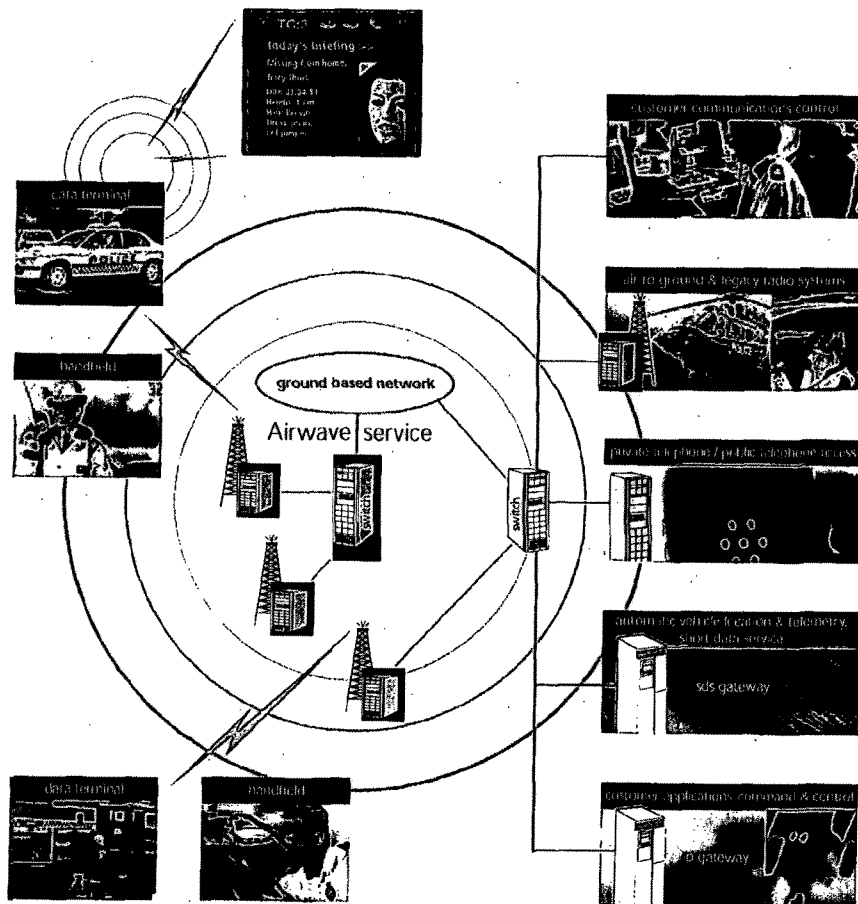
A	389 (15.3)
B	358 (14.1)
C	72 (2.8)
D	143 (5.6)
E	220 (8.7)

Antenna Fine Adjustment

Fine Azimuth	$\pm 10^\circ$
Fine Elevation	$\pm 25^\circ$



how Airwave service works



The telecommunications services described in this publication are subject to availability and may be modified from time to time. Services and equipment are provided subject to Airwave's respective standard conditions of contract. Nothing in this publication forms any part of any contract.

© O2 Limited 2001, a subsidiary of mnc02 plc. Registered office: 5 Longwalk Road, Stockley Park East, Uxbridge, Middlesex UB11 1AT. Registered in England and Wales No: 4190833. Issued by Airwave mnc02 Limited. Designed by Shunstone.

Issued November 2001

www.o2.com/airwave

Airwave service from Q2

O₂

delivering real benefits for police forces

Airwave service is designed to meet the needs of the police service now and in the future. It offers tangible benefits to police forces, enabling more effective communication and greater operational efficiency. For officers on the beat, it provides important advances in safety and security.

the key benefits of Airwave service

- flexible communication
- dedicated service
- increased efficiency
- improved safety
- faster response
- better information
- digital quality
- greater security
- easier co-ordination
- added value

Overleaf, you will find more detailed information on the benefits Airwave service can offer to police forces. Taken together, these also mean an important benefit for the general public. By providing the police and other Public Safety organisations with a better communications service, Airwave service can help to create a safer environment for everyone.

creating a safer environment





delivering real benefits for police forces

dedicated service

Airwave service is more than a mobile radio system. It is a comprehensive service, backed by the highest standards of customer support. This support is available 24 hours a day, every day of the year, and is delivered by highly trained staff with the latest and best technological resources.

designed for the future

For years, the police have had to cope with limited radio coverage, restricted channel capacity, no secure communications, little access to data services and serious interference. Airwave service has been designed to eliminate these problems, giving police forces the communication system they deserve and enabling them to deliver a better service to the community.

added value

Because Airwave service is designed as a national service, replacing dozens of individual radio systems, it benefits from significant economies of scale. This enables a higher quality service with improved features and a more robust infrastructure.

digital quality

With Airwave service, the digital voice quality guarantees clearer communication and minimising misunderstandings.

flexible communication

Airwave service provides flexible modes of operation, including point to point calls, group calls, telephone access and database access. This enables dispatchers to relay messages faster and more efficiently, and frees them to provide a better service to officers in the field.

greater security

Airwave service ensures secure communications, eliminating the problem of criminal scanning of police frequencies and safeguarding operational information from unauthorised access.

access to databases

With Airwave service, officers in the field have instant access to the PNC database, enabling more and faster PNC checks which will in turn lead to earlier detection of crime and offenders. Officers can also access other databases, providing them with better, faster information. Some administrative functions, like filing a crime report, can now be performed in the field in real time. This should reduce the need for officers to return to their stations thus helping to increase their presence on the street.

data transmission

Information and images can be transmitted instantly, enabling faster proof of identification and recording of evidence, and better information for managing major incidents.

combined radio, telephone and data terminal

With a single terminal, every officer could have instant access to a radio, mobile telephone and data terminal. This gives each officer a better range of communication options and faster access to information. It will also provide savings on current cellular phone expenditure.

guaranteed coverage

Using the digital TETRA standard, Airwave service can provide greatly improved coverage. This improves operational efficiency and ensures increased officer safety.

enhanced co-ordination

Because Airwave service is designed to serve the whole Public Safety community, it provides huge advantages in improving the co-ordination of major incidents. Now, the police, fire and ambulance services can communicate effectively on the scene and control rooms can manage resources more effectively.

automatic location systems

Airwave service provides Automatic Vehicle Location Systems (AVLS) and Automatic Person Location Systems (APLS). These ensure that control rooms know the location of all vehicles and officers at all times. This is a major step forward in officer safety, and will also enable enhanced response and better management of resources.

comprehensive management information

Airwave service will automatically provide a large amount of important management information while reducing the need for manual inputting and form filling. This will save valuable time and increase operational efficiency.

www.o2.com/airwave

The telecommunications services described in this publication are subject to availability and may be modified from time to time. Services and equipment are provided subject to Airwave's respective standard conditions of contract. Nothing in this publication forms any part of any contract.

© O2 Limited 2001, a subsidiary of mmO2 plc. Registered office: 5 Longwalk Road, Stockley Park East, Uxbridge, Middlesex UB11 1TT. Registered in England and Wales No: 4150833. Issued by Airwave mmO2 Limited. Designed by Bluestone.

Issued November 2001




Airwave™ service from O2

delivering real benefits for primary care and other health sector customers

Airwave service is designed to meet the needs of health workers within the nation's Public Safety community now and in the future. It offers tangible benefits, enabling more effective communication and the delivery of greater levels of patient care. For health sector personnel, it also provides important advances in safety and security.

the key benefits of Airwave service

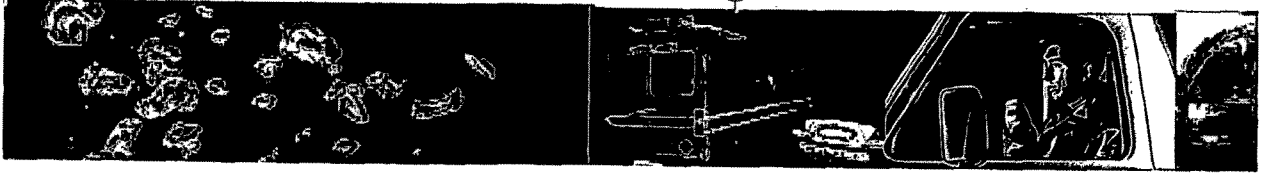
- flexible communication
- dedicated service
- increased efficiency
- improved safety
- faster response
- better information
- digital quality
- greater security
- easier co-ordination
- added value



Overleaf, you will find more detailed information on the benefits Airwave service can offer. Taken together, these also mean an important benefit to the general public. By providing the health sector and other Public Safety organisations with a better communications service, Airwave service can help to create a safer environment for everyone.

creating a safer environment





delivering real benefits for primary care and other health sector customers

dedicated service

Airwave service is more than a mobile radio system. It is a comprehensive service, backed by the highest standards of customer support. This support is available 24 hours a day, every day of the year, and is delivered by highly trained staff with the latest and best technological resources.

designed for the future

For years, health workers in the community have had to cope with limited radio coverage, restricted channel capacity, no secure communications, little access to data services and serious interference. Airwave service has been designed to eliminate these problems, giving health workers the communication system they deserve and enabling them to deliver a better service to the community.

added value

Airwave service is designed as a national service to serve the whole Public Safety community. By replacing dozens of individual radio systems, it benefits from significant economies of scale. And because the infrastructure is already being built to serve the police service, Airwave service can provide health sector customers with a higher quality service at a competitive cost.

digital quality

With Airwave service, the digital voice quality guarantees clearer communication and minimises misunderstandings.

flexible communication

Airwave service provides flexible modes of operation, including point to point calls, group calls, telephone access and database access. This enables controllers to relay messages faster and more efficiently, and frees them to provide a better service to personnel in the field.

greater security

Airwave service ensures secure communications, eliminating the problem of unauthorised scanning of emergency service frequencies. This will help to maintain patient confidentiality, whilst the radio's in-built 'panic' button will help to protect the personal safety of staff.

access to databases

With Airwave service, functions like completing reports, checking schedules, and accessing electronic patient records can be performed in the field in real time. This can reduce administration and improve efficiency.

data transmission

Images and patient vital signs can be transmitted instantly, enabling remote diagnosis and early notification of the patient's condition. For example, this information would allow hospital departments to prepare facilities prior to a patient's arrival.

combined radio, telephone and data terminal

With a single terminal, health workers could have instant access to a radio, mobile telephone and data terminal. This gives a wide range of communications options and faster access to information. It will also provide savings on current cellular phone expenditure.

guaranteed coverage

Using the digital TETRA standard Airwave service can provide guaranteed improved coverage, particularly in rural areas, improving effectiveness of healthcare.

enhanced co-ordination

Because Airwave service is designed to serve the whole Public Safety community, it provides huge benefits in improving the co-ordination of incidents and other activities. For example, ambulance crews can communicate effectively with fire services on the scene; and community healthcare teams can co-operate to deliver improved patient care.

automatic location systems

Airwave service can provide Automatic Vehicle Location Systems (AVL) and Automatic Person Location Systems (APLS). These ensure that controllers know the location of their team at all times. This is a major step for personnel safety, and will also enhance response and better management of resources.

comprehensive management information

Airwave service will automatically provide a large amount of management information while reducing the need for manual inputting and form filling. This saves valuable time and increases operational efficiency.

www.o2.com/airwave



Airwave service from O2



delivering real benefits for public safety organisations

Airwave service is designed to meet the needs of the Public Safety services now and in the future. It offers tangible benefits, enabling more effective communication and greater operational efficiency. For Public Safety personnel, it provides important advances in safety and security.

the key benefits of Airwave service

- flexible communication
- dedicated service
- increased efficiency
- improved safety
- faster response
- better information
- digital quality
- greater security
- easier co-ordination
- added value

Overleaf, you will find more detailed information on the benefits Airwave service can offer to Public Safety organisations. Taken together, these also mean an important benefit for the general public. By providing the Public Safety organisations with a better communications network, Airwave service can help to create a safer environment for everyone.

creating a safer environment





delivering real benefits for public safety organisations

dedicated service

Airwave service is more than a mobile radio system. It is a comprehensive service, backed by the highest standards of customer support. This support is available 24 hours a day, every day of the year, and is delivered by highly trained staff with the latest and best technological resources.

designed for the future

For years, Public Safety organisations have had to cope with limited radio coverage, restricted channel capacity, no secure communications, little access to data services and serious interference. Airwave service has been designed to eliminate these problems, giving Public Safety organisations the communication system they deserve and enabling them to deliver a better service to the community.

added value

Airwave service is designed as a national service to serve the whole Public Safety community. By replacing dozens of individual radio services, it benefits from significant economies of scale. And because the infrastructure is already being built to serve the police service, Airwave service can provide other Public Safety organisations with a higher quality service at a competitive cost.

digital quality

With Airwave service, the digital voice quality guarantees clearer communication and minimising misunderstandings.

flexible communication

Airwave service provides flexible modes of operation, including point to point calls, group calls, telephone access and database access. This enables dispatchers to relay messages faster and more efficiently, and frees them to provide a better service to personnel in the field.

greater security

Airwave service ensures secure communications, eliminating the problem of unauthorised scanning of emergency service frequencies. This will help to protect the personal safety of staff and maintain confidentiality.

access to databases

With Airwave service, some administrative functions (like completing reports and checking records) can now be performed in the field in real time. This can reduce administration and increase productivity.

data transmission

Information and images can be transmitted instantly, enabling faster proof of identification and recording of evidence, and better information for managing major incidents.

combined radio, telephone and data terminal

With a single terminal, personnel have instant access to a radio, mobile telephone and data terminal. This offers a better range of communication options and faster access to information. It will also provide useful savings on current cellular phone expenditure.

guaranteed coverage

Using the digital TETRA standard, Airwave service can provide greatly improved coverage, virtually eliminating coverage blackspots. This improves operational efficiency and ensures increased safety of personnel.

enhanced co-ordination

Because Airwave service is designed to serve the whole Public Safety community, it provides huge advantages in improving the co-ordination of major incidents. Now, all Public Safety personnel can communicate effectively with each other on the scene, and control rooms can manage resources more effectively.

automatic location systems

Airwave service provides Automatic Vehicle Location Systems (AVLS) and Automatic Person Location Systems (APLS). These ensure that control rooms know the location of all vehicles and personnel at all times. This is a major step forward in staff safety, and will also enable enhanced response and better management of resources.

comprehensive management information

Airwave service will automatically provide a large amount of important management information while reducing the need for manual inputting and form filling. This will save valuable time and increase operational efficiency.

www.o2.com/airwave

O₂

The telecommunications services described in this publication are subject to availability and may be modified from time to time. Services and equipment are provided subject to Airwave's respective standard conditions of contract. Nothing in this publication forms any part of any contract.

© O2 Limited 2001, a subsidiary of mm02 plc. Registered office: 5 Longwalk Road, Stockley Park East, Uxbridge, Middlesex UB11 1TT. Registered in England and Wales No: 4100833. Issued by Airwave mm02 Limited. Designed by Bluestone.

Issued November 2001

Airwave service from O2



delivering real benefits for the fire & rescue services

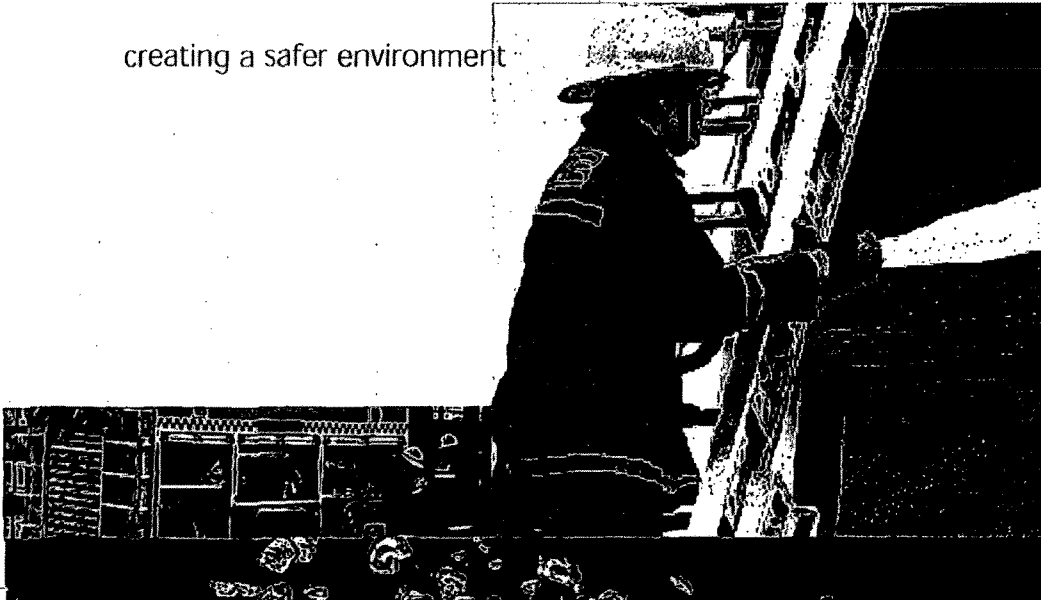
Airwave service is designed to meet the needs of the fire services now and in the future. It offers tangible benefits, enabling more effective communication and greater operational efficiency. For officers in the field, it provides important advances in safety and security.

the key benefits of Airwave service

- flexible communication
- dedicated service
- increased efficiency
- improved safety
- faster response
- better information
- digital quality
- greater security
- easier co-ordination
- added value

Overleaf, you will find more detailed information on the benefits Airwave service can offer to fire services. Taken together, these also mean an important benefit for the general public. By providing the fire service and other Public Safety organisations with a better communications network, Airwave service can help to create a safer environment for everyone.

creating a safer environment





delivering real benefits for the fire & rescue services

dedicated service

Airwave service is more than a mobile radio system. It is a comprehensive service, backed by the highest standards of customer support. This support is available 24 hours a day, every day of the year, and is delivered by highly trained staff with the latest and best technological resources.

designed for the future

For years, the Fire services have had to cope with limited radio coverage, restricted channel capacity, no secure communications, little access to data services and serious interference. Airwave service has been designed to eliminate these problems, giving Fire brigades the communication system they deserve and enabling them to deliver a better service to the community.

added value

Airwave service is designed as a national service to serve the whole Public Safety community. By replacing dozens of individual radio services, it benefits from significant economies of scale. And because the infrastructure is already being built to serve the police service, Airwave service can provide Fire brigades with a higher quality service at a competitive cost.

digital quality

With Airwave service, the digital voice quality guarantees clearer communication and minimising misunderstandings.

flexible communication

Airwave service provides flexible modes of operation, including point to point calls, group calls, telephone access and database access. This enables Control Officers to relay messages faster and more efficiently, and frees them to provide a better service to officers in the field.

greater security

Airwave service ensures secure communications, eliminating the problem of unauthorised scanning of emergency service frequencies. This will help to protect the personal safety of staff and reduce the potential hazards posed by members of the public interfering at incidents.

access to databases

With Airwave service, some administrative functions (like completing reports and checking records) can now be performed in the field in real time. This can reduce administration and increase productivity.

data transmission

Information and images can be transmitted instantly, enabling faster access to building layouts and details of chemicals stored on site, as well as better information for managing major incidents.

combined radio, telephone and data terminal

With a single terminal, crews have instant access to a radio, mobile telephone and data terminal. This gives each crew a better range of communication options and faster access to information. It will also provide useful savings on current cellular phone expenditure.

guaranteed coverage

Using the digital TETRA standard, Airwave service can provide greatly improved coverage, virtually eliminating coverage blackspots. This improves operational efficiency and ensures increased crew safety.

enhanced co-ordination

Because Airwave service is designed to serve the whole Public Safety community, it provides huge advantages in improving the co-ordination of major incidents. Now, officers can communicate effectively with the police and ambulance crews on the scene, and control rooms can manage resources more effectively.

automatic location systems

Airwave service supports Automatic Vehicle Location Systems (AVLS) and Automatic Person Location Systems (APLS). These can ensure that control rooms know the location of all appliances and officers at all times. Automatic location is a major step forward in officer safety, and will also enable improved response and better management of resources.

comprehensive management information

Airwave service will automatically provide a large amount of important management information while reducing the need for manual inputting and form filling. This will save valuable time and increase operational efficiency.

www.o2.com/airwave



The telecommunications services described in this publication are subject to availability and may be modified from time to time. Services and equipment are provided subject to Airwave's respective standard conditions of contract. Nothing in this publication forms any part of any contract.

© O2 Limited 2001, a subsidiary of mmO2 plc. Registered office: 5 Longwalk Road, Stockley Park East, Uxbridge, Middlesex UB11 1TT. Registered in England and Wales No: 410833. Issued by Airwave mmO2 Limited. Designed by Bluestone.

Issued November 2001

The Chief Planning Officer
The London Borough of Haringey
Civic Centre
High Road
Wood Green
N22 8LE

Andrew Muir
Planning Manager

andrew.muir@ngridwireless.com
Direct tel +44 (0)1926 416337
Direct fax +44 (0)1926 416329
Mobile +44 (0)7787 105307

www.nationalgrid.com/wireless

15 November 2007
Our Reference 140056/79242/ABM

Dear Sir,

AIRWAVE SOLUTIONS LTD
ALEXANDRA PALACE, ALEXANDRA PARK, HARINGEY
PRIOR CONSULTATION WITH LOCAL PLANNING AUTHORITY

We write in connection with proposals by Airwave Solutions Ltd (Airwave) to use the above site, which is owned or controlled by National Grid Wireless (NGW), a radio site management company.

Brochure documentation is attached on Airwave and you will see the telecommunications network being established is for the emergency services and will in particular bring about significant improvements that will be of considerable local benefit.

In accordance with best practice Airwave is committed to carrying out consultation with the community prior to development. Hence, in advance of submitting an application, we are writing to seek your detailed views on the proposals. Before doing so we set out some relevant background information to explain why it is considered appropriate for the operator to share our site. This accords with the Code of Best Practice on Mobile Phone Network Development, published by the ODPM in November 2002.

The purpose of this letter is to advise you of a specific proposal and invite your detailed comments so that, if practicable, they can be taken into account in finalising the details. We also seek your agreement on the Traffic Light Rating and the associated consultation strategy to be adopted in this case.

National Grid Wireless

NGW owns or controls a significant proportion of the UK communications infrastructure and other sites suitable for use for electronic communications purposes. This includes:

- The BBC transmission network that we own and operate on behalf of the BBC for analogue and digital radio and television broadcasting.
- Most of the radio towers developed and used by the mobile operator T-Mobile.
- The NG network of electricity pylons.
- The NG gas distribution sites, some of which are already used by NG for electronic communications purposes.
- Through a management agreement with BT, rights over a large number of Telephone Exchanges across the country.
- Through management agreements rights over certain hotels, and fire and police stations across the country.

In addition, all our mobile telecommunications installations operate within applicable national or international guidelines on health and safety, including those adopted by the International Commission for Non-Ionising Radiation Protection (ICNIRP). Appropriate ICNIRP exclusion zones can therefore be designed into proposals by mobile operators, taking into account any cumulative increases that may occur through multiple use.

Whether in urban or rural locations these attributes may be difficult to replicate elsewhere without causing added environmental disruption to varying degrees.

Pre-Application Request for Detailed Comments

In accordance with the advice found in PPG 8 and the Code of Best Practice, we would like to obtain any detailed comments you might have before any application is submitted.

In order to share our site, we propose to carry out the following on behalf of the operator:

Install 2No x 0.3 metre dish antennas, one at 30metres and the other at 45 metres

If for whatever reason, you have concerns about the use of our site by the operator, please indicate immediately why. In addition, please provide details, including land ownership if you have them, of any alternative sites within an approximate radius of 500 metres around our site that you consider might merit investigation as a realistic and preferred option. With this information a comparative assessment can be carried out with the operator and if appropriate an approach made to the landowner to establish availability. The decision will then rest with the operator as to whether to proceed with these proposals.

Other Consultations

In accordance with the Code of Best Practice an assessment for the purposes of establishing the appropriate level of consultation has been carried out. Using this Traffic Light Rating assessment the option of the operator using our site has been categorised

green. In accordance with best practice we only propose to consult with the local planning authority and to rely on the normal consultations associated with the planning process. If however you feel the rating to be incorrect or consider other interested parties should be notified at this stage, then please let us know and pass on copies of this documentation or let us have details immediately.

We look forward to receiving any comments you may have. It would be greatly appreciated if you could either forward your comments or if preferred contact us to arrange a meeting within 10 working days.

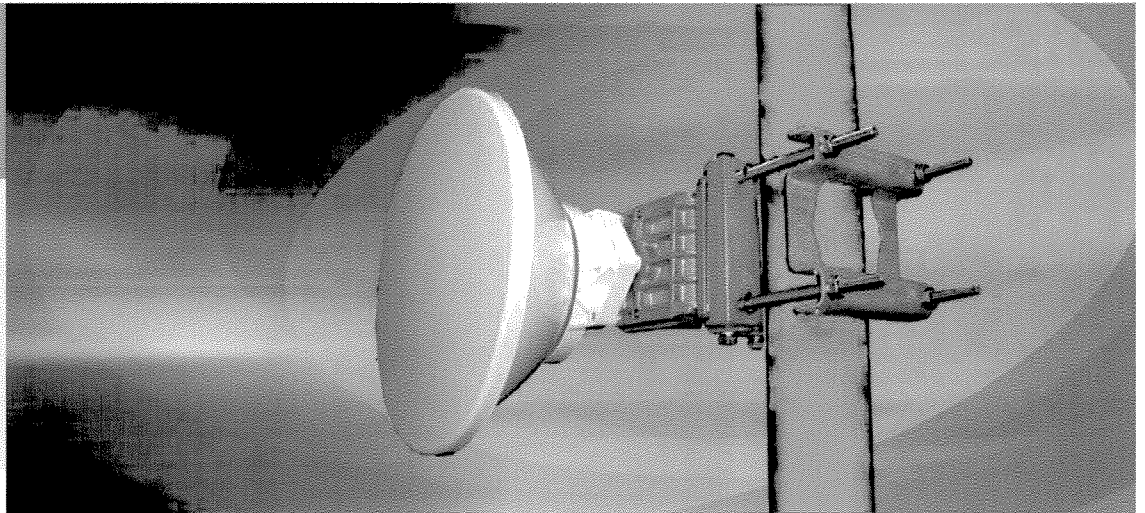
In the meantime, if you have any queries, please do not hesitate to contact our Andrew Muir on 07787 105307.

Yours faithfully

NATIONAL GRID WIRELESS



PRODUCT
SPECIFICATION



ValuLine® III Next Generation Antennas VHLP1

SPECIFICATIONS

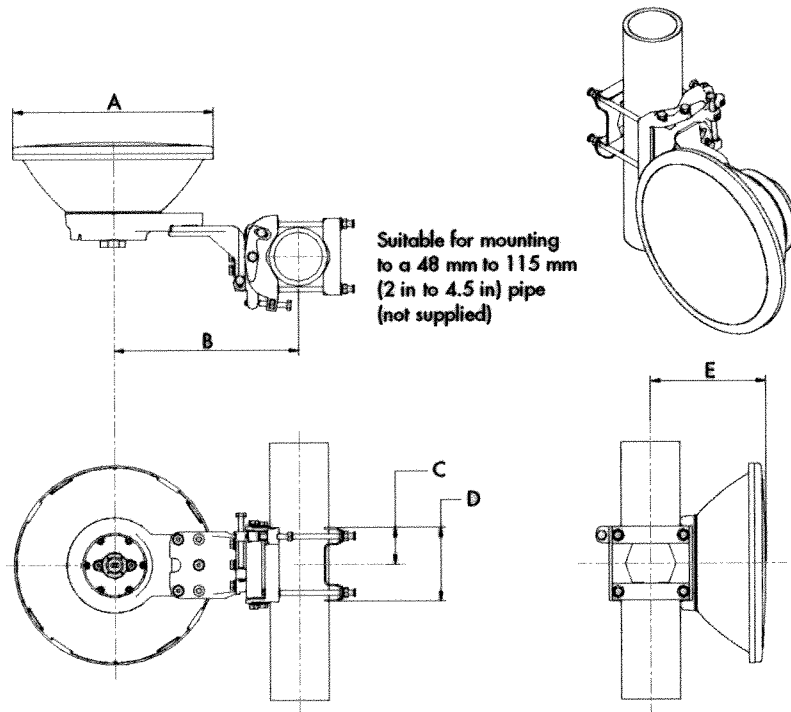
	VHLP1-13	VHLP1-15	VHLP1-18	VHLP1-23	VHLP1-26	VHLP1-28	VHLP1-32	VHLP1-38	VHLP1-58
Frequency Band, GHz	12.70–13.25	14.25–15.35	17.7–19.7	21.2–23.6	24.25–26.5	27.5–29.5	31.8–33.4	37.0–40.0	57.0–59.0
Bottom Band Gain, dBi	30.8	31.6	33.8	34.7	36.2	37.6	38.7	39.6	43.1
Mid Band Gain, dBi	30.9	32.1	34.2	35.3	36.6	38.1	38.9	40.1	43.5
Top Band Gain, dBi	31	32.6	34.6	35.9	37.1	38.6	39.1	40.5	43.3
Beamwidth, degrees	4.7	4.3	3.3	3.0	2.5	2.2	1.8	1.6	1.1
Front/Back, dB	53	54	57	62	63	64	58	61	61
XPD, dB	30	30	30	30	30	30	30	30	NA
Return Loss, dB	17.7	17.7	17.7	17.7	17.7	17.7	17.7	17.7	17.7
Regulatory Compliance									
ETSI Class	R1 C2	R2 C2	R2 C2	R3 C3	R4 C2	R4 C2	R5 C3B	R5 C3B	R6 C3
FCC Part 101	NA	NA	NA	CAT A	NA	CAT A	NA	CAT A	NA
Brazil Anatel	NA	NA	NA	CAT A	CAT A	NA	NA	CAT A	NA
Canada SRSP	CAT B	NA	NA	Note 1	NA	CAT A	NA	CAT A	NA
Andrew RPE Number	7002	7006	7010	7014	7018	7022	7026	7030	7034

Note 1: Meets Canada SRSP 317.7, 318.5, 318.8

One Company. A World of Solutions.

SPECIFICATIONS

ValuLine® III Next Generation Antennas—VHLP1



Antenna Dimensions, mm (in)

A	389 (15.3)
B	358 (14.1)
C	72 (2.8)
D	143 (5.6)
E	220 (8.7)

Antenna Fine Adjustment

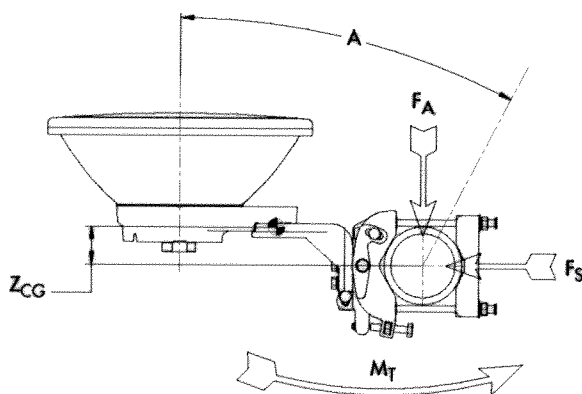
Fine Azimuth	±10°
Fine Elevation	±25°

SPECIFICATIONS

ValuLine® III Next Generation Antennas—VHLP1

Wind Loading

The axial, side, and twisting moment forces stated below are the maximum loads applied to the tower by the antenna at a survival windspeed of 250 km/h (155 mph). They are the result of wind from the most critical direction for each parameter. The individual maximums may not occur simultaneously. All forces are referenced to the antenna mounting pipe.



Axial force	F_A	445 N (100 lbf)
Side force	F_S	196 N (44 lbf)
Moment	M_T	159.3 N-m (117.4 lb-ft)
Angle A for M_T maximum		0°
Z_{CG} * without ice, mm (in)		47 (1.85)
Z_{CG} with 12 mm (1/2 in) radial ice, mm (in)		92 (3.59)

* Z_{CG} is the axial distance from the center of gravity to the mounting pipe.

Antenna Weights Including Mount

Antenna without ice, kg (lb)	6.45 (14.21)
Antenna with 12 mm (1/2 in) radial ice, kg (lb)	12 (26.5)

Antenna Packed Weights (Gross)

Weight, kg (lb)	8.95 (19.7)
-----------------	-------------

Packed Antenna Dimensions (Single Unit Pack)

Dimensions, cm (in)	63.5 x 45.5 x 32.5 (25 x 18 x 13.75)
---------------------	--------------------------------------



One Company. A World of Solutions.

Andrew Corporation
 3 Westbrook Corporate Center
 Suite 900
 Westchester, IL 60154 US

Customer Support Center
From North America
 Telephone: 1-800-255-1479
 Fax: 1-800-349-5444

International
 Telephone: +1-708-873-2307
 Fax: +1-708-349-5444

Internet: www.andrew.com

All designs, specifications, and availabilities of products and services presented in this bulletin are subject to change without notice.

Bulletin PA-101027.1-EN (7/06)

© 2006 Andrew Corporation, Westchester, IL 60154 US

**Declaration of Conformity with ICNIRP Public Exposure Guidelines
("ICNIRP Declaration")**

National Grid Wireless
Brookmans Park Transmitting Station
Great North Road
Brookmans Park
Herts
AL9 6NE

Declares on behalf of Airwave, that the proposed equipment and installation as detailed in the attached planning / GPDO application, and any existing equipment at:

ALEXANDRA PALACE
Alexandra Palace
Alexandra Park
Haringey
Greater London E1
N22 7BB

Site ID: 140056
BT Code: TQ-3608
Plan View Drawing Reference: P15590_08_150_M07_07 & P15590_08_160_M07_07
Elevation View Drawing Reference: P15590_08_100_M07_07

is designed, according to the full extent of the information available, to be in full compliance with the requirements of the radio frequency (RF) public exposure guidelines of the International Commission on Non-Ionising Radiation Protection (ICNIRP), as expressed in EU Council recommendation of 12 July 1999 * "on the limitation of exposure of the general public to electromagnetic fields (0 Hz to 300 GHz)".

* Reference: 1999/519/EC

Date: 28 January 2008

Signed: 

Name: Geoffrey Emslie BSc (Hons)

Position: Assistant Design Manager